

## 21003/200/DIM/BI Loop

design emiliana martinelli, 2017

Hanging lamp, diffused light, composed with curved modules and in white, black, pearly gold or copper colored extruded aluminium sectors. The union of those sectors offer different diameters rings, hanged by stainless steel cables. White opal polycarbonate diffuser. Integrated LED light source. Electronic dimmable Push/Dali, triac 5 fili, 0-10V e 1-10V driver inside in the ceiling stud. Available on request 2700K, 4000K.

### interior light emission

21003/300/DIM Ø 300cm  
composed by 4 sectors 90°

21003/200/DIM Ø 200cm  
composed by 3 sectors 120°

21003/160/DIM Ø 160cm  
composed by 3 sectors 120°

### exterior light emission

21005/300/DIM Ø 300cm  
composed by 4 sectors 90°

21005/200/DIM Ø 200cm  
composed by 3 sectors 120°

21005/160/DIM Ø 160cm  
composed by 3 sectors 120°

## 21003/200/DIM/BI loop

family:	LOOP	Body Color:	<input type="radio"/> other available colors <input checked="" type="radio"/> <input type="radio"/> <input type="radio"/>
Designers:	Emiliana Martinelli	Diffuser Color:	<input type="radio"/>
Utilization:	indoor	Body Materials:	extruded aluminum
Typology:	pendant	Diffuser Materials:	opal polycarbonate
Certifications:			
Market:	This item is available in the following countries: EUROPE		

### Dimensions

Width:	-
Height:	8 cm
Length:	-
Depth:	-
Diameter:	200 cm

Hole Diameter:	-
Hole Depth:	-
Net weight:	20 Kg

### Light Source

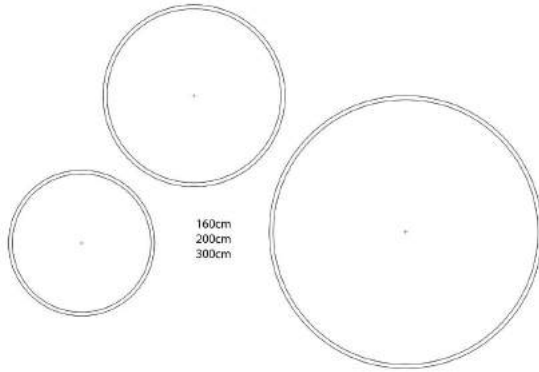
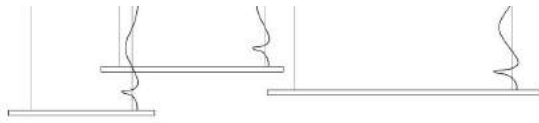
Watt:	216W
Lumen:	21000 lm
Light Source:	led
CRI:	>80
duration:	50000
CCT:	3000K
Energy degree:	A++

### Device Specifications

Type of emission:	diffused	Power cable length:	400 cm	Driver:	included
Power:	214W	Steel cable length:	350 cm	Power supply assembly:	external
Light output:	14134lm	Glow Wire Test:	-	Power supply:	electronic dimmable power supply
Beam angle:	-	Impact Resistance:	-	Type of dimming:	push/dali, triac 5 fili, 0-10v e 1-10v
				Voltage:	230V



technical drawing

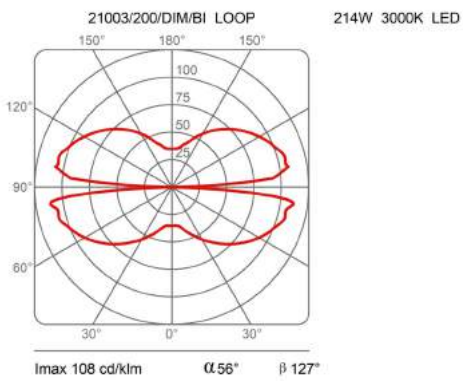
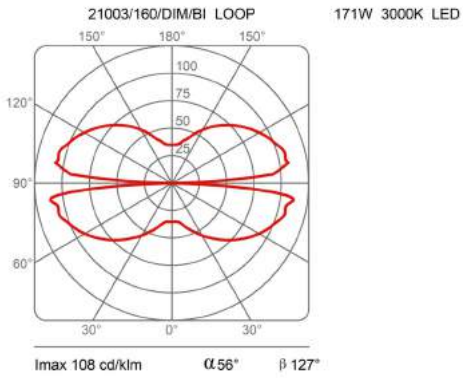


Dimensions

Width: -  
Height: 8 cm  
Length: -  
Depth: -  
Diameter: 200 cm

Hole Diameter: -  
Hole Depth: -  
Net weight: 20 Kg

photometrics data



21003/300/DIM/BI LOOP      321W 3000K LED

