

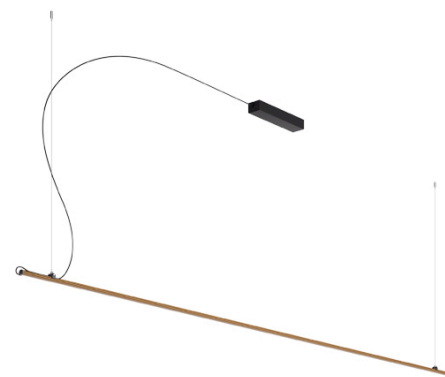
FREELINE F44A0576

Flynn Talbot

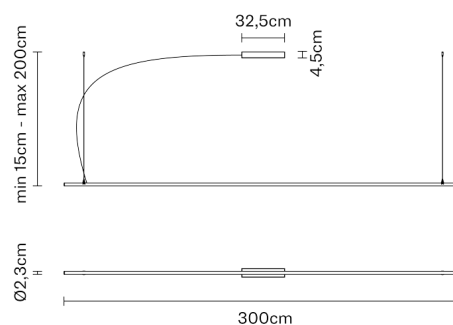


Description

Pendant lamp with bronze anodized aluminium structure. Adjustable diffuser for direct or indirect light.



Dimensions



Voltage

220-240V

Dimmable LED

PUSH 1..10V

Material

Aluminium

Light source and alternative bulbs

LED 1x43.2W-120°
3000K
2880lm Cri 80

Available structure colours

- Black
- Bronze

Energetic class A++



Included accessories

LED
Dimmable electronic driver

In the same family



Ceiling

System

Weight

Net: 1.4 kg
Gross: 0 kg

Packaging

Volume: 0 m³
Number of boxes:

Specs

IP40