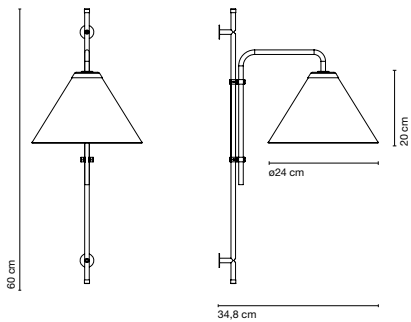


# **Funiculí Fabric** **Lluís Porqueras**

**marset**



**Funiculí A Fabric**



**Funiculí A Fabric**

🔌 E14 LED 5W

Black electrical cord

**Stem and wall clip in lacquered iron. White or sand polyester shade, made of a PVC-PET laminated film.**

- Black-White
- Black-Sand



- [Download](#) Assembly instructions
- [Download](#) 2D
- [Download](#) 3D
- [Download](#) Photometric data
- [Download](#) Energy label

**Range**



**Watch the video**

[info@marset.com](mailto:info@marset.com)  
[www.marset.com](http://www.marset.com)

Heir to the first Funiculí, this year we present a new version with a fabric shade, a design that Lluís Porqueras first conceived in 1979 but that is only now seeing the light of day. The essence of both lamps continues to be their simplicity, but the new design is chic and classical, perhaps even more sophisticated than the original.