

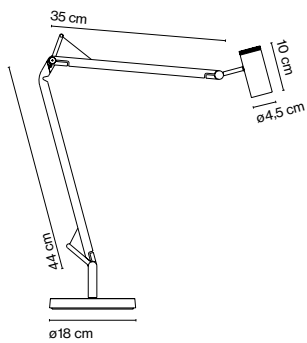
Polo

Joan Gaspar

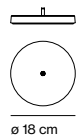
marset



Polo



Base



Polo

Light Source:
LED SMD 350mA 6,3W
3000K CRI80 532,4lm

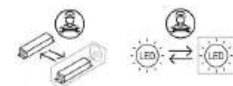
Luminaire:
100 - 240 VAC 8,34W 441lm

LED included

Black electrical cord

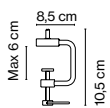
Body and diffuser in lacquered aluminium. A switch is incorporated into the diffuser. Metal base with a polycarbonate cover.

● Black (RaI 9005)

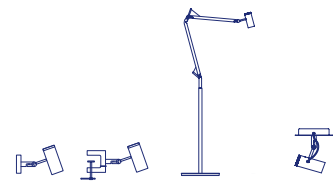


- [Download](#) Assembly Instructions
- [Download](#) Photometric Data
- [Download](#) 2D
- [Download](#) 3D

Clamp



Range



Watch the video
info@marset.com
www.marset.com

The fluidity of its movements and its total stability make this flexible fitting a light source which can be moved anywhere without cluttering your desk or taking up too much valuable space.