

SATURNO IN

SPECIFICATIONS

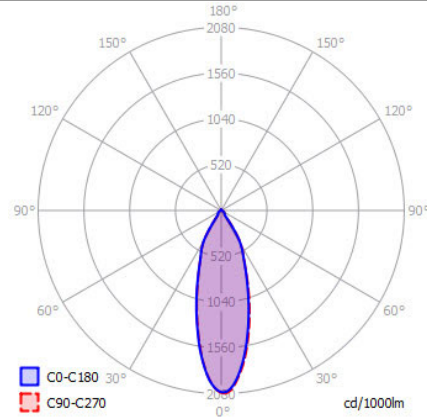
MOUNTING		CEILING RECESSED
POWER	[W]	9,3
LAMP		built-in LED
LUMINOUS FLUX*	[lm]	860
LIGHT COLOUR	[K]	2700
CRI		>90
BEAM ANGLE	[°]	32
AVERAGE LIFETIME	[h]	L80/B50.000
LUMINOUS EFFICACY	[lm/W]	92
POWER SUPPLY		500mA CC
LED-DRIVER	[V] [A]	NOT INCLUDED
DIMMING		SEE DRIVER
THROUGH-WIRING		SEE DRIVER
MATERIAL		ALUMINUM
INGRESS PROTECTION		IP20
PROTECTION CLASS		III
NET WEIGHT	[kg]	0,52
GROSS WEIGHT	[kg]	0,55
COLOUR (HOUSING)		WHITE ~RAL9003
COLOUR (HOUSING)		BLACK ~RAL9005
CUT-OUT	[mm]	Ø102
RECESSED DEPTH (H)	[mm]	70

*Luminous flux values are nominal LED data at a operating temperature of 25° C



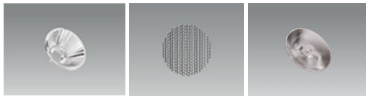
LIGHT DISTRIBUTION

32°

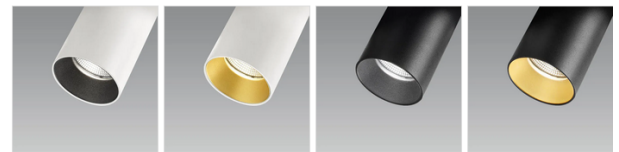


OPTIONS / OPTIONAL ACCESSORIES

REFLECTOR	[°]	15 / 48
HONEY COMB LOUVER		BLACK
ANTI GLARE RING		GOLD
LENS	[°]	18



Colours



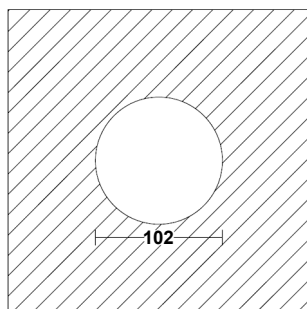
white/black

white/gold

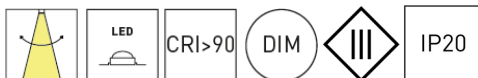
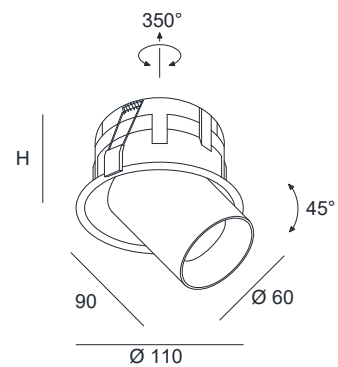
black/black

black/gold

CUT OUT DIMENSIONS



FIXTURE DIMENSIONS



DLS LIGHTING

www.dslighting.com

***DLS**
LIGHTING