



## 21004/BI Suju

design michael geldmacher, 2017

Ceiling lamp, direct light, height adjustable by rolling up and down the body lamp on the stretched power cable. Integrated LED light source. Cable with electronic driver on the plug in the inferior support.

### 21004/BI suju

family:	suju	Body Colour:	<input type="radio"/>
Designers:	Michael Geldmacher	Diffuser Colour:	<input type="radio"/>
Utilization:	indoor	Body Materials:	aluminium
Typology:	ceiling lamps	Diffuser Materials:	opal white methacrylate

Certifications:

Market: This item is available in the following countries:  
EUROPE

#### Dimensions

Width:	30 cm	Hole Diameter:	-
Height:	270 cm	Hole Depth:	-
Length:	-	Net weight:	2 Kg
Depth:	-		
Diameter:	4 cm		

#### Light Source

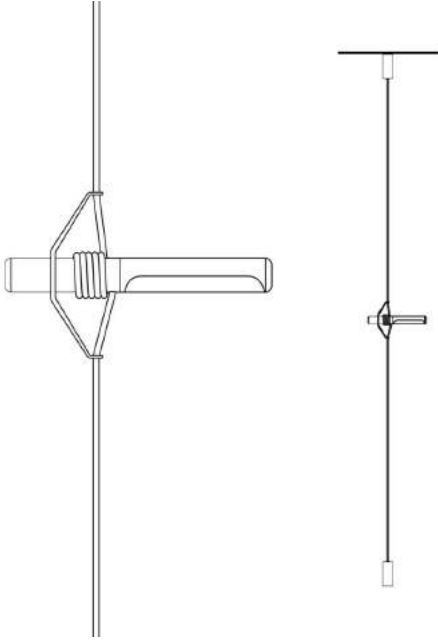
Watt:	8W
Lumen:	720 lm
Light Source:	led
CRI:	>90
duration:	50000
CCT:	3000K
Energy degree:	A++

#### Device Specifications

Type of emission:	-	Power supply length:	-	Driver:	included
Power:	-	Steel cable length:	-	Power supply assembly:	external
Light output:	-	Glow Wire Test:	-	Power supply:	electronic driver with cable and plug
Beam angle:	-	Impact Resistance:	-	Type of dimming:	-
				Voltage:	230V



technical drawing



Dimensions

Width: 30 cm  
Height: 270 cm  
Length: -  
Depth: -  
Diameter: 4 cm

Hole Diameter: -  
Hole Depth: -  
Net weight: 2 Kg



**Suju 21004/BI**

design michael geldmacher, 2017

