



Toggle

Neil Poulton

colors



Typology Wall
Utilisation Indoor

230V 4.5 W 700 lm



direct light

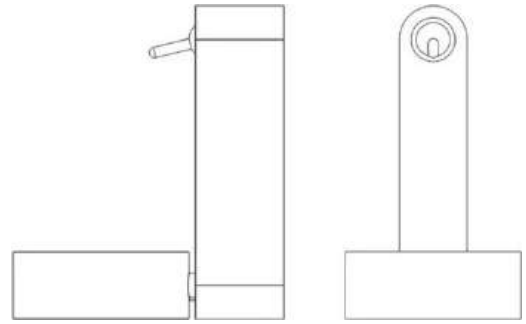
Toggle is made of die-cast aluminium painted with a satin polycarbonate diffuser. LED light source and built-in power supply.



Family	Toggle
Typology	Wall
Utilisation	Indoor

Dimensions

Height	17,1 cm
Profondità	14,8 cm
Diameter	9,6 cm
Weight	0.7 Kg

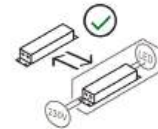


Materials

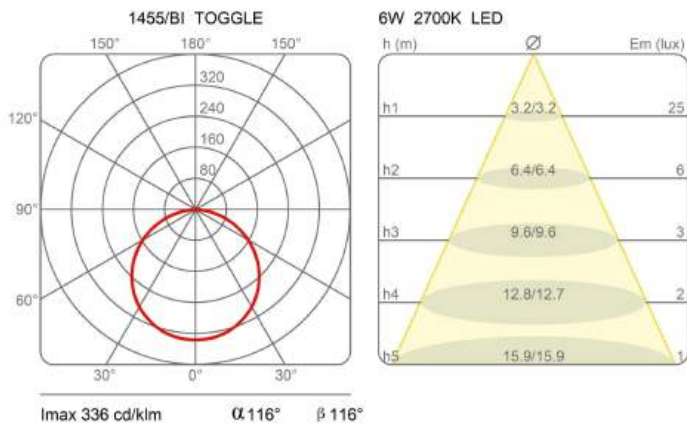
Structure	aluminium	Diffuser	polycarbonate
Elementi	aluminium		

Voltage	230V	Watt	4.5 W
Non dimmable		Lumen	700 lm
		CRI	>80
		CCT	2700 K
		Energy class	E

Certifications



Photometric curves





Colour variant code



1455/BI



White



1455/AN



Anthracite

Gallery

